

PRESTON

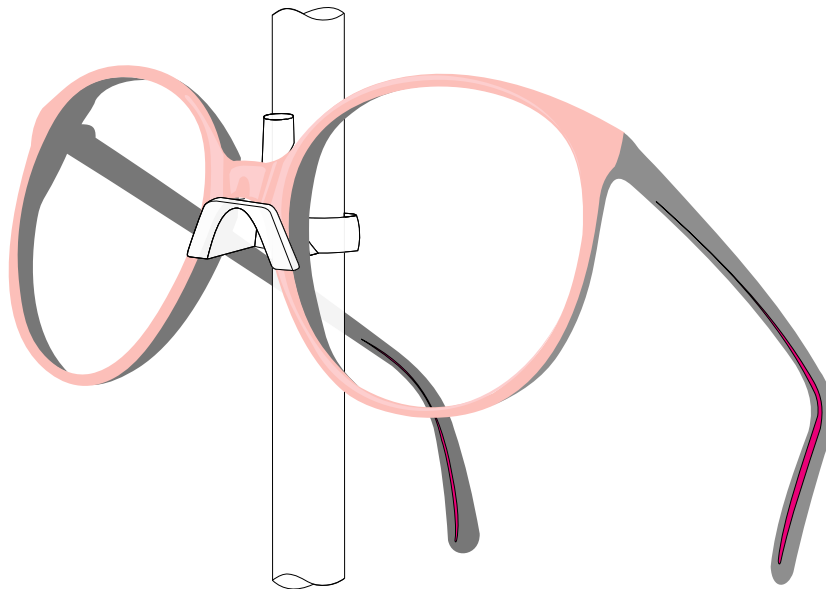
DISPLAYS

PTY. LTD.

A.C.N. 005 907 924

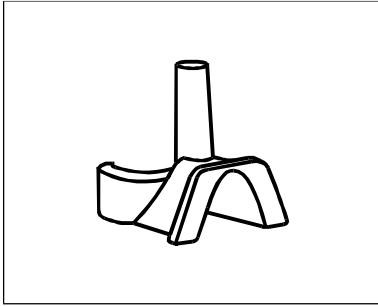
A.B.N. 61363404121

Optical display accessories

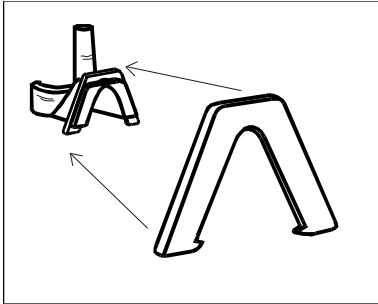


16 JOHNSTON COURT DANDENONG VIC. 3175 TEL +61 3 9706 8862 FAX +61 3 9706 8873
SPECIALISTS IN ACRYLIC FABRICATION AND ALL YOUR DISPLAY REQUIREMENTS

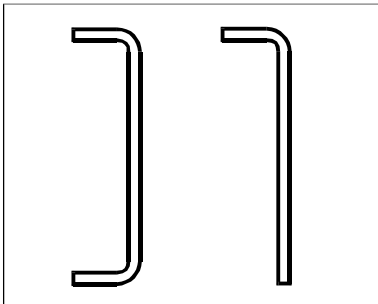
Optical accessories



PD 301 Frame cradle clip in clear polycarbonate, clips onto 16mm rod.

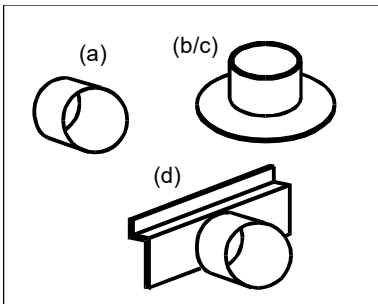


PD 301A Frame cradle spacer clip.
For use where required with thin metal framed spectacles, assists frame to stay horizontal.

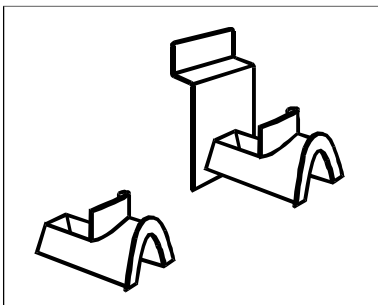


PD 302 "D" rods in 16 mm clear acrylic
PD 302A "D" rods in 16 mm aluminium, silver anodised or powder coated in a range of colours.
Standard size is 1000 mm long with 140 mm return.
Use location washers to fit to wall or bench top.
PD 302NS Acrylic "D" rods non-standard size, state length required.
PD 303 "L" rods, one bend, 1000 mm long with 140 mm return.
PD 303NS "L" rods non-standard, state length required.

Please allow at least 4 weeks delivery for aluminium non-standard items. Only "D" rods are ex-stock.



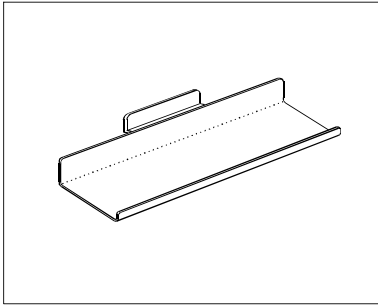
PD 304A Location washer, screws to wall or bench.
PD 304B Also comes with a 40mm flange.
PD 304C Flange type also available with double sided adhesive tape for window application.
PD 304D Location washer with slatwall fixing.



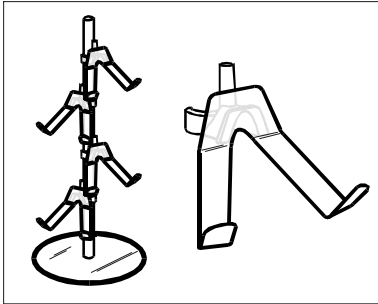
PD 305 Slatwall frame cradle clip, arms of frame to be folded.

PD 305A Glue-on frame cradle clip, arms of frame to be folded.

Optical accessories

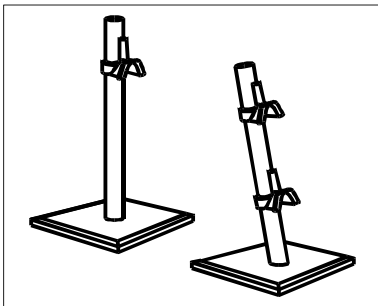


PD 306 Case holder, c/w slatwall fitting or clip for 16mm rod, please state which fitting required.



PD 321 Case holder "tree". Standard unit comprises base (on spinner) with 500 mm high 16mm rod and 6 case holder arms. Order longer rod and more arms as required.

PD 306A Case holder arm only.



PD 307/1 Rod counter display, 1 frame.

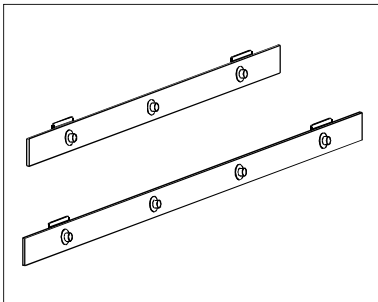
PD 307/2 Rod counter display, 2 frame.

PD 307/3 Rod counter display, 3 frame.

PD 307S/1 Angled, rod counter unit, 1 frame.

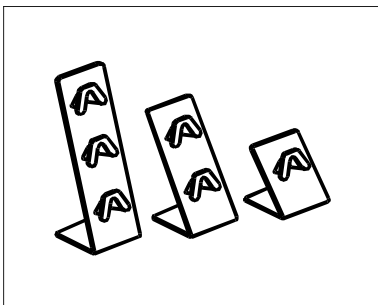
PD 307S/2 Angled, rod counter unit, 2 frame.

PD 307S/3 Angled, rod counter unit, 3 frame.



PD 308/3 3 rod slatwall mount, location washer to fit 16 mm rod.

PD 308/4 4 rod slatwall mount, location washer to fit 16 mm rod.

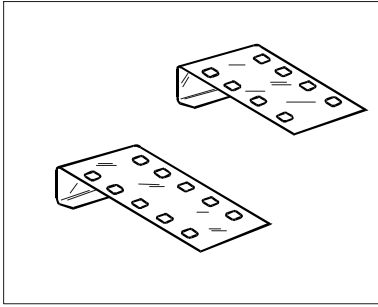


PD 309/1 Counter display stand, 1 frame.

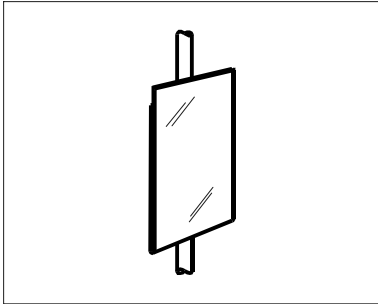
PD 309/2 Counter display stand, 2 frames.

PD 309/3 Counter display stand, 3 frames.

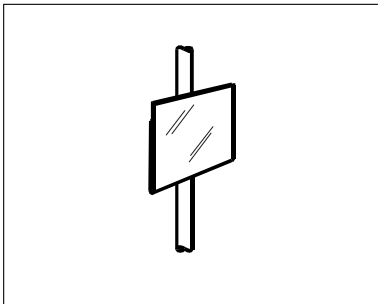
Optical accessories



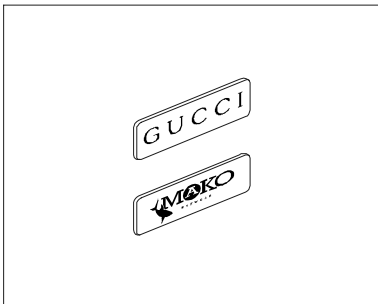
PD 310A Counter display stand, 4 frames.
PD 310B Counter display stand, 5 frames.



PD 311A A4 ticket holder clips onto 16mm rod,
PD 311B or comes with a slatwall attachment.

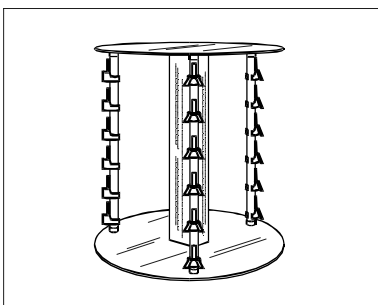


PD 312A A5 ticket holder clips onto 16mm rod,
PD 312B or comes with a slatwall attachment.



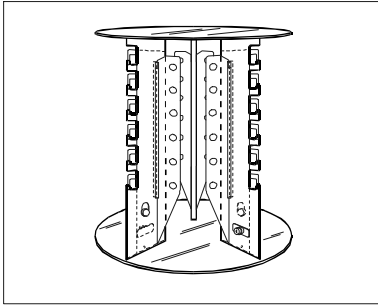
PD 313 Signage plaques, clip-on, slatwall or desk stand.

Price on application - dependant upon quantity and number of colours in the printing.



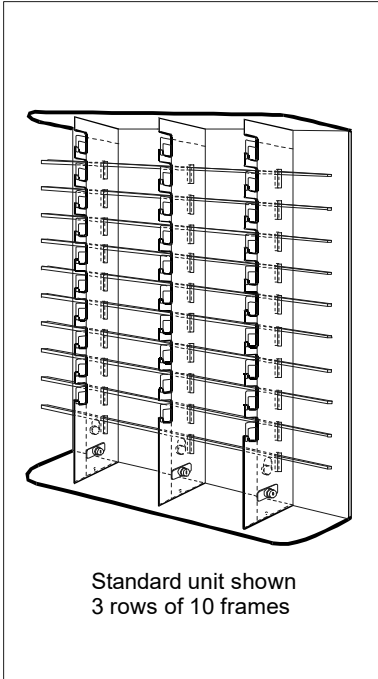
PD 314 3 rod and
PD 315 4 rod mini spinners designed to hold 18 or 24 frames.
Consists of black acrylic top and base, aluminium look centre post, acrylic or aluminium rods and frame cradle clips.
Dimensions are 480mm high X 300mm dia. or 480mm high X 380mm dia.

Optical accessories



PD 316
PD 317

3 column and
4 column lockable, mini spinners, designed to hold 18 or
24 frames. Consists of coloured acrylic base, clear top
and clear columns.
Dimensions are 600 mm high, 390 mm or 450 mm dia.

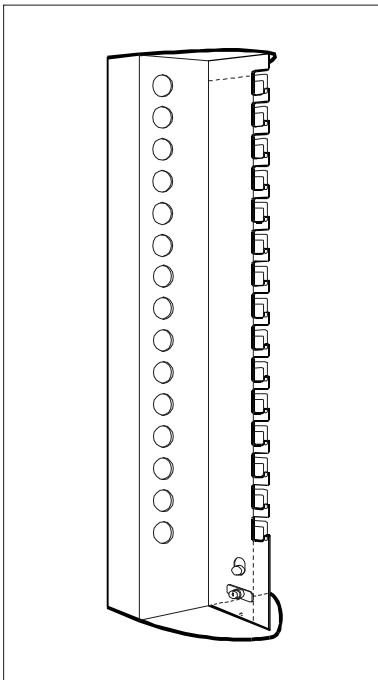


PD 320

Lockable unit, slatwall fixing, wall fixing or sits on bench,
standard unit is 3 rows of 10 frames.
Larger or smaller units in multiples of 10 frames per column
can be manufactured for your requirements.

PD 330

Lockable unit, slatwall fixing, wall fixing or sits on bench,
in rows of multiples of 15 frames per column can be
manufactured for your requirements.



PD 322

Lockable tower unit, wall fixing or sits on bench,
holds fifteen frames.